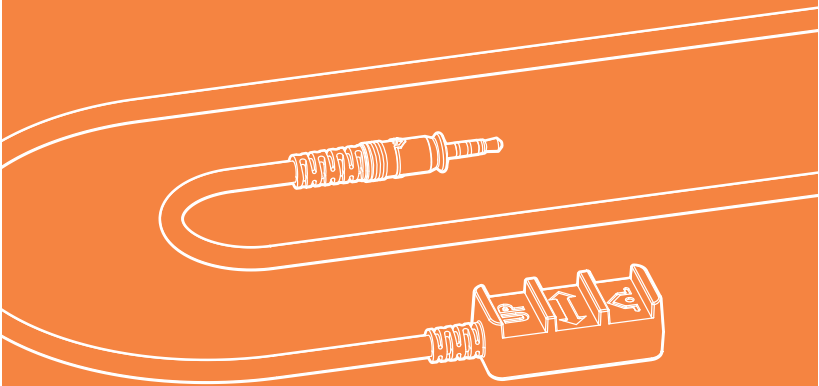




FLOWIE-O EXTENSION CABLE



1 Connect Sensor Relay

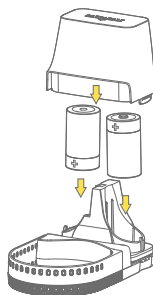
Make sure the Sensor Relay is plugged into an electrical outlet. When it is connected to the cellular network, its LED light will blink green. If the Sensor Relay LED isn't immediately blinking green, you can still proceed to the following steps. It may take several minutes to complete firmware upgrades. Check that the LED is blinking green before registering the Flowie-O (see step 6).

- RED - No Signal
- GREEN - Connected
- YELLOW - Low Battery
- MAGENTA - Upgrading



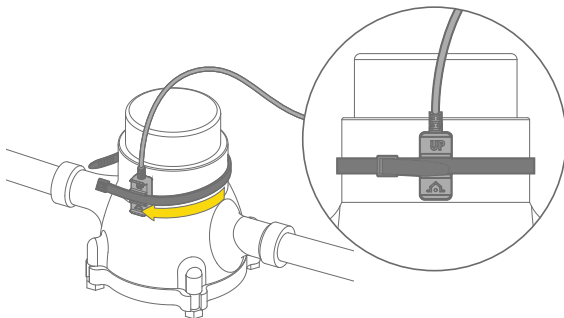
2 Activate Flowie-O

Insert the 2 D Cell batteries and close the lid of the Flowie-O. The LED light will blink green within ~5 minutes.



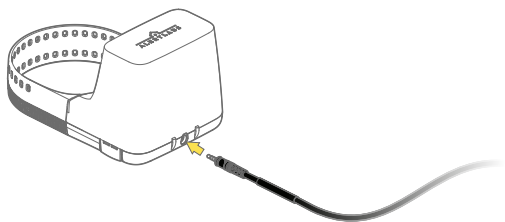
3 Secure the Flowie-O Extension Cable to the meter

Secure the Flowie-O Extension Cable to the meter with a zip tie. The end of the cable should be as low as possible on the side of the meter dial, similar to installing the Flowie-O water flow sensor. Make sure the Alert Labs logo and the word "UP" are visible and right-side-up.



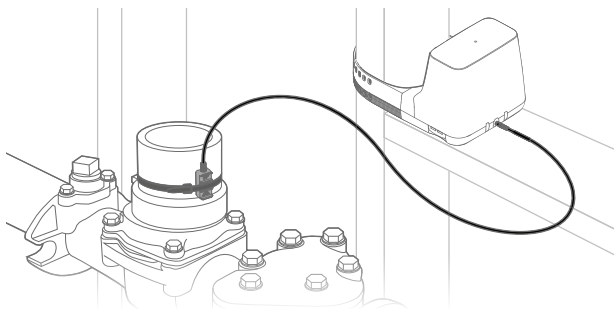
4 Connect the Extension Cable to Flowie-O

Remove the rubber plug covering jack on Flowie-O. Insert the extension cable into the jack. Make sure that the extension cable is inserted as far as possible in order to create a waterproof seal.



5 Secure Flowie-O

Use the strap to secure Flowie-O in place. The Flowie-O should be in a location where it won't be moved and the cable won't be at risk of being disconnected. If Flowie-O is installed in a pit, it should be secured as high as possible to maximize the communication strength to the Sensor Relay and avoid being submerged.



6 Register the Flowie-O

Use the app or go to app.alertlabs.com to register the serial number.



Register:
app.alertlabs.com